

2 Venturi Systems – Boosted Pressure

- Spray-Alls
- Airless Foamers
- Air-Assisted Foamers
- Airless Combination Applicators
- Air-Assisted Combination Applicators
- Accessories



Lafferty

EQUIPMENT MANUFACTURING LLC

CATALOG 2

Venturi Systems
Boosted Pressure • 125-350 PSI

Chemical Application Equipment

www.LaffertyEquipment.com

5614 Oak Grove Road • North Little Rock, AR 72118

Phone: 800-999-2820 / 501-851-2820 • Fax Orders: 800-699-3719

Production and Environmental Sanitation Equipment

Critical to Producing the Highest Quality Food Products

Regulations, public expectations and competitive pressures require business and industry to maintain clean production areas, machinery and equipment. In today's world, a bacterial or pathogenic food contamination scare can panic people or cripple industries half a world away. Companies that are serious about cleaning invest in the best chemicals and the best chemical application equipment.

Lafferty builds quality into every piece of chemical application equipment – from the precision machining of our sanitizer and foamer bodies, to the careful selection of heavy-duty components, to the individual testing of every unit. This keeps Lafferty Equipment products working better and longer than any other brand.

Once you experience Lafferty quality and performance, you will know that no other brand can be "just like a Lafferty."

Venturi Technology Perfected

Lafferty Equipment's business is founded on venturi technology. For nearly 40 years, we at Lafferty have been perfecting our product offering through rigorous attention to venturi design and the manufacture of balanced systems, engineered to meet the needs of our customers.

The beauty of using a venturi for chemical application is the simplicity; there are no moving or wearing parts. Lafferty venturis are machined from chemical-resistant, solid, thermoplastics or stainless steel, to ensure long product life despite heavy, daily use or harsh environmental conditions.

Translating venturi theory into superior performance is the essence of "The Lafferty Difference"

Lafferty has developed an extensive range of venturi sanitizers and foamers that are designed to suit a wide variety of generalized and specialized applications at locations with boosted water pressure systems.

Most Lafferty venturi systems come equipped with 20 different sized metering tips, which are used to control chemical dilution ratios.

Dilution ratios can be set by selecting the appropriate metering tip, using the chart contained in the operating instructions.

Lafferty's Complete Balanced System Approach

The team at Lafferty Equipment puts more than a century of combined manufacturing and in-the-field experience into the equipment that we offer. Our approach is to provide a complete, balanced system right out of the box for ease of installation and trouble-free performance.

Lafferty Equipment's core product offering is the widest range of chemical application equipment available in the marketplace.

If a standard product does not meet the need, we have many specialized systems not listed in this catalog, which may provide the solution. If not, we will work with you to create a system to meet the client's specific requirements.

Our passionate focus on superior quality, outstanding reliability and attention to detail ensures years of consistent operational performance and peace of mind.

Focus on Performance

- Dedicated Research and Development team
- Application-specific designs to create integrated balanced systems
- Discharge hoses (lengths and diameters), wands and nozzles carefully selected to ensure optimum system performance
- Machined sanitizer and foamer bodies engineered for their specific, intended use
- Reliable, precision metering options

Focus on Quality, Reliability and Durability

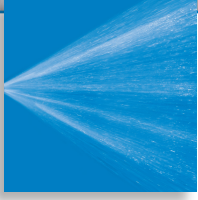
- Designed to endure heavy usage in industrial settings with minimal maintenance requirements
- Lafferty's proprietary stainless steel and polypropylene components are precision machined on state-of-the-art CNC and traditional machine tools in Lafferty's manufacturing facility in Arkansas.
- Extensive testing of all finished products
- Optimum material selection for chemical and industry compatibility, with all wetted parts chemically resistant
- Stainless steel mounting enclosures for industrial settings

Focus on Service

- Dedicated to superior customer service and support
- Prompt order shipment
- Detailed web site and catalog information for equipment selection
- Comprehensive Installation and Operation Instructions

Boosted Pressure

Lafferty Boosted Pressure Chemical Applicators are designed for use in food and beverage processing facilities equipped with a pressurized water system operating between 125 and 350 PSI.



LAFFERTY BOOSTED PRESSURE SPRAY-ALLS™ are water-driven venturi systems that accurately dilute sanitizer or detergent chemical concentrates to required ratios and spray the solution on to any surface.

The trigger gun creates an adjustable, flooding spray for quick area coverage.

Wall mount units are offered with Lafferty's signature heavy duty stainless steel mounting enclosure and the portable model features a heavy-duty stainless steel cart.

SANITIZER / SPRAY-ALL

REQUIRES: 125 - 350 PSI WATER

- For use with boosted pressure water systems, the Lafferty W-50SS Spray-All accurately dilutes chemical concentrates and produces a flooding spray.

REQUIREMENTS / SPECIFICATIONS

Water Pressure	125 - 350 PSI	8.6 - 24.1 bar
Water Flow Rate	@ 250 PSI	@ 17.2 bar
	5.6 gpm	21.2 lpm
Discharge Hose		
ID	1/2 in.	12.7 mm
Length	50 ft.	15.2 m

Includes

- Machined stainless steel injector body
- Stainless steel Y strainer
- Stainless steel wall mounting enclosure
- Stainless steel ball valve
- Color-coded metering tips (20) and tip driver
- High pressure discharge hose with boosted pressure trigger gun
- Portable model features all stainless steel cart

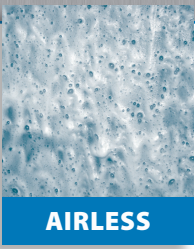


Boosted pressure trigger gun with swivel



Pail not included

Model #	Description
912050	W-50SS Spray-All
912954	Portable 5 Gallon W-50SS Spray-All



AIRLESS

LAFFERTY BOOSTED PRESSURE AIRLESS FOAMERS are water-driven venturi systems that accurately dilute chemical concentrates to required ratios and project high quality wet foam onto any surface without the need for compressed air.

Foam is created instantly in the machined, stainless steel venturi airless foam wand, providing for superior cleaning and visual assurance of complete coverage.

Wall mount units are offered with Lafferty's signature heavy duty stainless steel mounting enclosure.

AIRLESS FOAMER

REQUIRES: 125 - 350 PSI WATER

- Produces airless foam using boosted pressure water systems
- Lafferty Airless Foamers do not require compressed air, eliminating cost and equipment adjustment issues.
- Foam is created instantly by the venturi airless foam wand
- Usable foam throw distance up to 10 ft.

REQUIREMENTS / SPECIFICATIONS

Water Pressure	125 - 350 PSI	8.6 - 24.1 bar
Water Flow Rate	@ 250 PSI	@ 17.2 bar
	2.8 gpm	10.6 lpm
Discharge Hose		
ID	3/8 in.	9.5 mm
Length	50 ft.	15.2 m

Includes

- Machined stainless steel injector body
- Stainless steel Y strainer
- Stainless steel mounting enclosure
- Stainless steel ball valve
- Color-coded metering tips (20) and tip driver
- High pressure discharge hose, trigger gun and stainless steel, airless foam wand



Model #	Description
912905	A-40SS Airless Foamer
912905HC*	A-40SSHC Airless Foamer



Trigger gun and stainless steel, airless foam wand

BOOSTED PRESSURE

AIR ASSISTED

LAFFERTY BOOSTED PRESSURE FOAMERS are water-driven venturi systems that accurately dilute chemical concentrates to required ratios and project high quality foam onto any surface, providing for superior cleaning and visual assurance of complete coverage. Two foam volumes and throw distances are available, and the optimum model to use will be determined by the application and desired coverage speed.

Wall mount units are offered with Lafferty's signature heavy duty stainless steel mounting enclosure and the portable model features a heavy-duty stainless steel cart.

BP FOAMERS

REQUIRES: 125 - 350 PSI WATER, COMPRESSED AIR

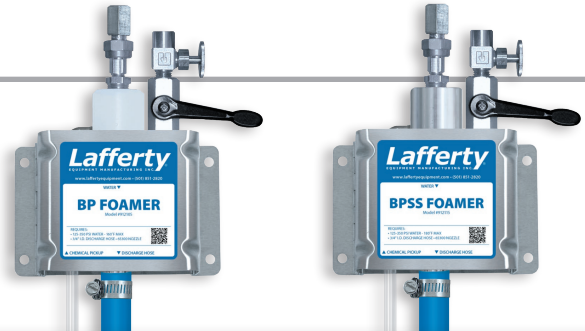
- Lafferty BP air-assisted foamers offer medium volume foaming capabilities for all foaming applications where boosted pressure water is available.
- Usable foam throw distance of up to 13 feet with included fan nozzle (Optional 0° nozzle available for greater throw distance)
- Covers up to 500 ft² (46.5 m²) in 1 minute

REQUIREMENTS / SPECIFICATIONS

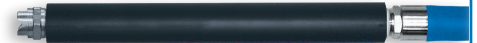
Compressed Air	up to 4 cfm	up to 113.2 lpm
Water Pressure	125 - 350 PSI	8.6 - 24.1 bar
Water Flow Rate	@ 250 PSI	@ 17.2
	3.0 gpm	11.4 lpm
Discharge Hose		
ID	3/4 in.	19.1 mm
Length	50 ft.	15.2 m

Includes

- Machined polypropylene or stainless steel foamer body
- Stainless steel mounting enclosure
- Color-coded metering tips (20) and tip driver
- Discharge hose, open flow foam wand and matching fan nozzle



Model #	Description
912105	BP Foamer
912115	BPSS Foamer



Open flow polypropylene foam wand and matching fan nozzle

MEGA FOAMERS

REQUIRES: 125 - 350 PSI WATER, COMPRESSED AIR

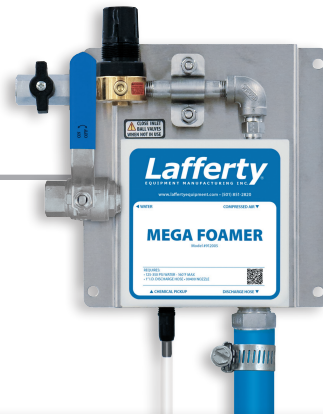
- Designed for boosted pressure water systems, the Lafferty Mega Foamer is a super-high-volume-output, air-assisted foamer capable of extremely rapid coverage of large areas or equipment.
- Usable foam throw distance of up to 40 feet
- Covers up to 500 ft² (46.5 m²) in 40 seconds

REQUIREMENTS / SPECIFICATIONS

Compressed Air	up to 6 cfm	up to 169.9 lpm
Water Pressure	125 - 350 PSI	8.6 - 24.1 bar
Water Flow Rate	@ 250 PSI	@ 17.2 bar
	9.0 gpm	34.1 lpm
Discharge Hose		
ID	1 in.	25.4 mm
Length	50 ft.	15.2 m
Portables	40 ft.	12.2 m

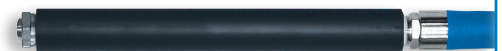
Includes

- Machined polypropylene foamer body
- Air regulator
- Stainless steel mounting bracket
- Color-coded metering tips (20) and tip driver
- Stainless steel ball valve
- Discharge hose, open flow foam wand and 0° nozzle

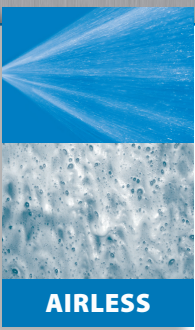


Model #	Description
912005	Mega Foamer
912005HC*	Mega HC Foamer
912020	Portable 20 Gallon Mega Foamer
912030	Portable 60 Gallon Mega Foamer

*High Concentrate unit



Open flow polypropylene foam wand and 0° nozzle



LAFFERTY BOOSTED PRESSURE AIRLESS HOSE DROP STATIONS are convenient combination systems offered in Rinse/Airless Foam, Sanitize/Airless Foam and Sanitize/Rinse/Airless Foam configurations.

Lafferty Airless Hose Drop Stations are water-driven, venturi systems that accurately dilute chemical concentrates to required ratios and project a sanitizing spray or high quality, wet foam onto any surface, without the need for compressed air.

Offered with Lafferty's signature heavy duty stainless steel mounting enclosures.

RINSE / AIRLESS FOAM HOSE DROP STATION

REQUIRES: 125 - 350 PSI WATER

- For use with boosted pressure water systems
- The Rinse / Airless Foam Hose Drop Station is a convenient combination system that will apply airless foam and rinse.
- Lafferty Airless Foamers do not require compressed air, eliminating cost and equipment adjustment issues.
- Foam is created instantly by the venturi airless foam wand.
- Usable foam throw distance up to 10 ft.

REQUIREMENTS / SPECIFICATIONS

Water Pressure	125 - 350 PSI	8.6 - 24.1 bar
Water Flow Rate	@ 250 PSI	@ 17.2 bar
Airless Foam	2.8 gpm	10.6 lpm
Rinse	13.4 gpm	50.7 lpm
Discharge Hose		
ID		
Foam	3/8 in.	9.5 mm
Rinse	1/2 in.	12.7 mm
Length	50 ft.	15.2 m

Includes

- Machined stainless steel injector body
- Stainless steel Y strainer
- Stainless steel mounting enclosure
- Stainless steel ball valves
- t (20)
- Metering tip driver
- Two discharge hose assemblies:
Rinse: High pressure discharge hose with boosted pressure trigger gun
Foam: High pressure discharge hose, trigger gun and machined stainless steel, airless foam wand



Model #	Description
912918	Rinse / A-40SS Airless Foam HDS



Boosted pressure trigger gun with swivel

Trigger gun and stainless steel, airless foam wand

BOOSTED PRESSURE

SANITIZE / AIRLESS FOAM HOSE DROP STATION

REQUIRES: 125 - 350 PSI WATER

- For use with boosted pressure water systems
- The Sanitize / Airless Foam Hose Drop Station is a convenient combination system that will apply airless foam for cleaning and a flooding spray for sanitizing chemicals.
- The Lafferty W-50SS Sanitizer produces a flooding spray.
- Lafferty Airless Foamers do not require compressed air, eliminating cost and equipment adjustment issues.
- Foam is created instantly by the venturi airless foam wand.
- Usable foam throw distance up to 10 ft.

REQUIREMENTS / SPECIFICATIONS

Water Pressure	125 - 350 PSI	8.6 - 24.1 bar
Water Flow Rate	@ 250 PSI	@ 17.2 bar
Airless Foam	2.8 gpm	10.6 lpm
Sanitize	5.6 gpm	21.2 lpm
Discharge Hoses		
ID		
Sanitize	1/2 in.	12.7 mm
Foam	3/8 in.	9.5 mm
Length	50 ft.	15.2 m

Includes

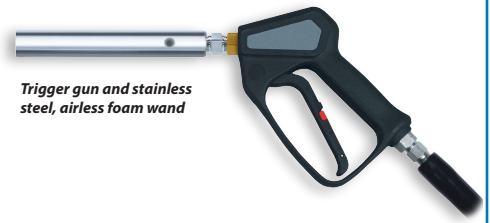
- Machined stainless steel injector bodies
- Stainless steel Y strainer
- Stainless steel mounting enclosure
- Stainless steel ball valves
- Color-coded metering tips (20)
- Metering tip driver
- Two discharge hose assemblies:
 - Sanitize: High pressure discharge hose with boosted pressure trigger gun
 - Foam: High pressure discharge hose, trigger gun and machined stainless steel airless foam wand



Model #	Description
912920	W-50SS Sanitize / A-40SS Airless Foam HDS



Boosted pressure trigger gun with swivel



Trigger gun and stainless steel, airless foam wand

SANITIZE / RINSE / AIRLESS FOAM HOSE DROP STATIONS

REQUIRES: 125 - 350 PSI WATER

- For use with boosted pressure water systems
- The sanitize / rinse / airless foam hose drop station is a convenient combination system that will sanitize, rinse and apply airless foam.
- The Lafferty W-50SS Sanitizer produces a flooding spray.
- Lafferty Airless Foamers do not require compressed air, eliminating cost and equipment adjustment issues.
- Foam is created instantly by the venturi airless foam wand.
- Usable foam throw distance up to 10 ft.

REQUIREMENTS / SPECIFICATIONS

Water Pressure	125 - 350 PSI	8.6 - 24.1 bar
Water Flow Rate	@ 250 PSI	@ 17.2 bar
Sanitize	5.6 gpm	21.2 lpm
Airless Foam	2.8 gpm	10.6 lpm
Rinse	13.4 gpm	50.7 lpm
Discharge Hose		
ID		
Sanitize / Rinse	1/2 in.	12.7 mm
Foam	3/8 in.	9.5 mm
Length		
	50 ft.	15.2 m

Includes

- Machined stainless steel injector bodies
- Stainless steel Y strainer
- Stainless steel mounting enclosure
- Stainless steel ball valves
- Color-coded metering tips (20)
- Metering tip driver
- Two discharge hose assemblies:

Sanitize / Rinse: High pressure discharge hose with boosted pressure trigger gun and hose quick disconnects so a single hose can be used to sanitize and rinse

Foam: High pressure discharge hose, trigger gun and machined stainless steel airless foam wand



Model #	Description
912925	W-50SS Sanitize / Rinse / A-40SS Airless Foam HDS



Boosted pressure trigger gun with swivel

Trigger gun and stainless steel, airless foam wand

BOOSTED PRESSURE



LAFFERTY BOOSTED PRESSURE HOSE DROP STATIONS are convenient combination systems offered as Rinse / Foam, Sanitize / Foam and Sanitize / Rinse / Foam configurations.

Lafferty Hose Drop Stations are water-driven, air-assisted venturi systems that accurately dilute chemical concentrates to required ratios and project a spray or high quality foam onto any surface.

Offered with Lafferty's signature heavy duty stainless steel mounting enclosures.

RINSE / FOAM HOSE DROP STATIONS

REQUIRES: 125 - 350 PSI WATER

- For use with boosted pressure water systems
- Lafferty Rinse / BPSS Foam Hose Drop Stations are convenient combination systems that will apply foam and rinse.
- Usable foam throw distance of up to 13 ft. with included fan nozzle. (Optional 0° nozzle available for greater throw distance.)
- Foam coverage of up to 500 ft² (46.5 m²) in 1 minute

REQUIREMENTS / SPECIFICATIONS

Compressed Air	up to 4 cfm	up to 113.2 lpm
Water Pressure	125 - 350 PSI	8.6 - 24.1 bar
Water Flow Rate	@ 250 PSI	@ 17.2 bar
BPSS foam	3.0 gpm	11.4 lpm
Rinse	13.5 gpm	51.1 lpm
Discharge Hose		
ID		
BPSS foam	3/4 in.	19.1 mm
Rinse	1/2 in.	12.7 mm
Length	50 ft.	15.2 m

Includes

- Machined stainless steel foamer body
- Stainless steel Y strainer
- Stainless steel mounting enclosure and ball valves
- Color-coded metering tips (20)
- Metering tip driver
- Two discharge hose assemblies:
Rinse: High pressure discharge hose and boosted pressure trigger gun
Foam: Discharge hose with open flow foam wand and matching fan nozzle



Model #	Description
912118	Rinse / BPSS Foam HDS



Boosted pressure trigger gun with swivel



Open flow polypropylene foam wand and matching fan nozzle

SANITIZE/FOAM HOSE DROP STATIONS

REQUIRES: 125 - 350 PSI WATER

- For use with boosted pressure water systems
- Lafferty Sanitize / BPSS Foam Hose Drop Stations are convenient combination systems that will apply one chemical as foam and a second chemical as a sanitizing spray.
- The Lafferty W-50SS Sanitizer produces a flooding spray.
- Usable foam throw distance of up to 13 ft. with included fan nozzle. (Optional 0° nozzle available for greater throw distance.)
- Foam coverage of up to 500 ft² (46.5 m²) in 1 minute

REQUIREMENTS / SPECIFICATIONS

Compressed Air	up to 4 cfm	up to 113.2 lpm
Water Pressure	125 - 350 PSI	8.6 - 24.1 bar
Water Flow Rate	@ 250 PSI	@ 17.2
BPSS foam	3.0 gpm	11.4 lpm
W-50SS Sanitize	5.6 gpm	21.2 lpm
Discharge Hose		
ID		
BPSS foam	3/4 in.	19.1 mm
Sanitize:	1/2 in.	12.7 mm
Length	50 ft.	15.2 m

Includes

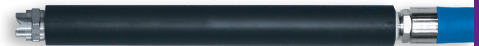
- Machined stainless steel sanitizer and foamer bodies
- Stainless steel Y strainer
- Stainless steel mounting enclosure and ball valves
- Color-coded metering tips (20)
- Metering tip driver
- Two discharge hose assemblies:
 - Sanitize: High pressure discharge hose and boosted pressure trigger gun
 - Foam: Discharge hose with open flow foam wand and matching fan nozzle



Model #	Description
912120	W-50SS Sanitize / BPSS Foam HDS



Boosted pressure trigger gun with swivel



Open flow polypropylene foam wand and matching fan nozzle

BOOSTED PRESSURE

SANITIZE/RINSE/FOAM HOSE DROP STATIONS

REQUIRES: 125 - 350 PSI WATER, COMPRESSED AIR

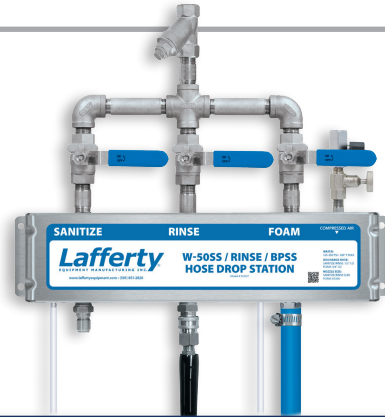
- For use with boosted pressure water systems
- Lafferty Sanitize / Rinse / Foam Hose Drop Stations are convenient combination systems that will apply one chemical as foam, rinse, and apply a second chemical as a sanitizing spray.
- The Lafferty W-50SS Sanitizer produces a flooding spray.
- Quick disconnects allow one hose to be used to both sanitize and rinse.
- Dedicated foam hose
- Usable foam throw distance of up to 13 ft. with included fan nozzle. (Optional 0° nozzle available for greater throw distance.)
- Covers up to 500 ft² (46.5m²) in 1 minute

REQUIREMENTS / SPECIFICATIONS

Compressed Air	up to 4 cfm	up to 113.2 lpm
Water Pressure	125 - 350 PSI	8.6 - 24.1 bar
Water Flow Rate	@ 250 PSI	@ 17.2 bar
Sanitizer	5.6 gpm	21.1 lpm
Foam	3.0 gpm	11.4 lpm
Rinse	13.4 gpm	50.7 lpm
Discharge Hose		
ID		
Sanitize / Rinse	1/2 in.	12.7 mm
Foam	3/4 in.	19.1 mm
Length	50 ft.	15.2 m

Includes

- Machined stainless steel sanitizer and foamer bodies
- Stainless steel Y strainer
- Stainless steel mounting enclosure
- Stainless steel ball valves
- Color-coded metering tips (20)
- Metering tip driver
- Two discharge hose assemblies:
Sanitize / Rinse: High pressure discharge hose with boosted pressure trigger gun and hose quick disconnects so a single hose can be used to sanitize and rinse
Foam: Hose, open flow foam wand and matching fan nozzle



Model #	Description
912127	W-50SS Sanitize / Rinse / BPSS Foam HDS



Boosted pressure trigger gun with swivel



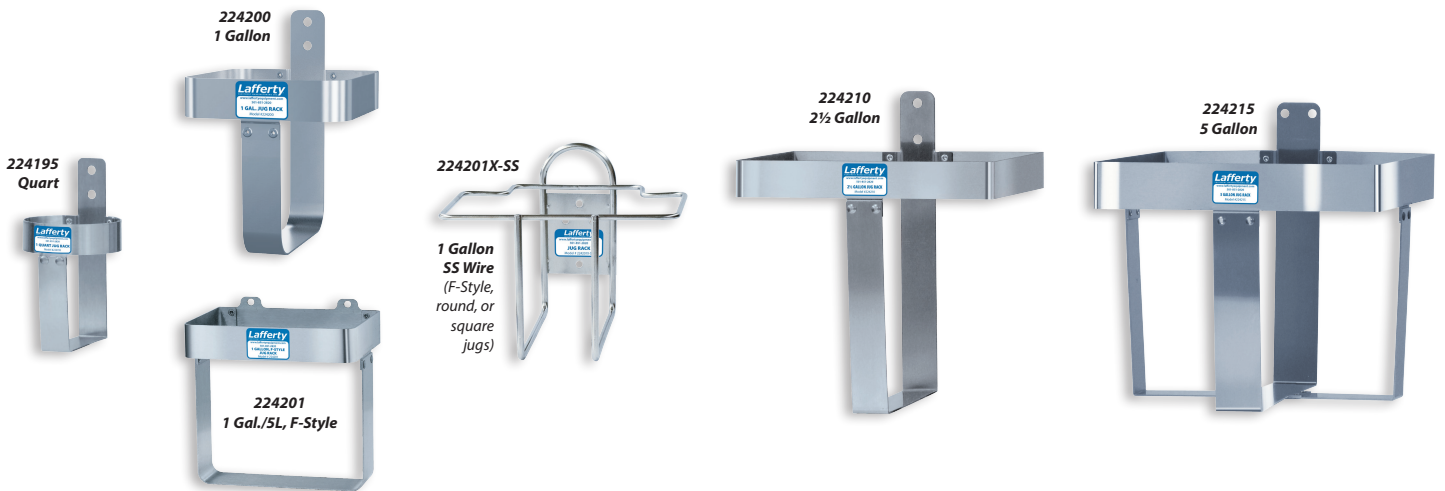
Open flow polypropylene foam wand and matching fan nozzle

ACCESSORIES

In addition to supplying parts for all Lafferty equipment, Lafferty offers a range of convenient accessories to complement its wide range of chemical application equipment.

Stainless steel jug racks and hose racks can be used with many products, while Drum Sticks and Tote Sticks offer a convenient way to draw chemical from bulk containers. A water pressure / flow test kit provides guidance for equipment selection and when troubleshooting.

STAINLESS STEEL JUG RACKS



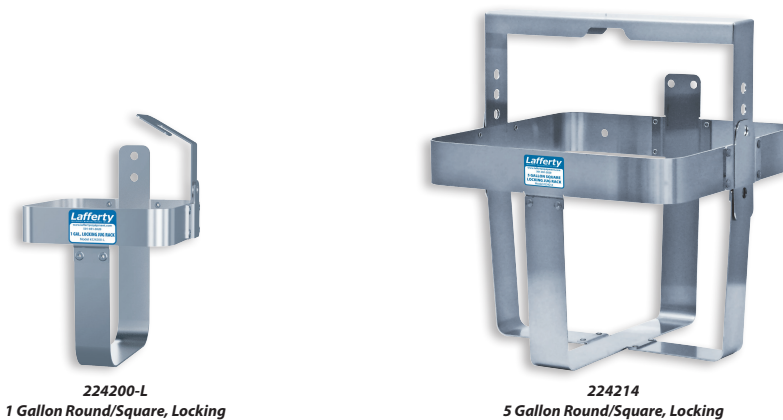
BOOSTED PRESSURE

DIMENSIONS

Model #		Diameter or Width x Depth	
224195	Quart	3 7/8 in. ID	9.8 cm ID
224200	1 Gal. Round/Sq.	6 1/2 x 6 3/8 in.	16.5 x 16.2 cm
224200-L	1 Gal. Rnd./Sq., Locking	6 1/2 x 6 3/8 in.	16.5 x 16.2 cm
224201	1 Gal./5L R'tangle, F-Style	7 5/8 x 5 7/8 in.	19.4 x 14.9 cm
224201X-SS	1 Gal. Wire, Rnd./Sq./F	8 x 6 3/8 in.	22.9 x 22.9 cm
224210	2 1/2 Gal.	10 5/8 x 8 1/2 in.	27.0 x 21.6 cm
224214	5 Gal. Rnd./Sq., Locking	13 x 12 6/8 in.	33.0 x 32.4 cm
224215	5 Gal. Rnd./Sq.	13 x 12 6/8 in.	33.0 x 32.4 cm

Model #	Description
224195	Jug Rack, SS, 1 Quart
224200	Jug Rack, SS, 1 Gallon Round/Square
224200-L	Jug Rack, SS, 1 Gallon Round/Square, Locking
224201	Jug Rack, SS, 1 Gallon/5 Litre Rectangular, F-Style
224201X-SS	Jug Rack, 1 Gallon SS Wire (Round/Square/F-Style)
224210	Jug Rack, SS, 2 1/2 Gallon
224214	Jug Rack, SS, 5 Gallon Round/Square, Locking
224215	Jug Rack, SS, 5 Gallon Round/Square

LOCKABLE



STAINLESS STEEL HOSE RACKS



HOSE CARRYING CAPACITY

Model #		Inside Diameter x Length	
224140	Strap	1/2 in. ID up to 75 ft. (+/-)	12.7 mm ID x 22.9 m (+/-)
224142	Strap, L	3/4 in. ID up to 75 ft. (+/-)	19.1 mm ID x 22.9 m (+/-)
224145	Small	3/4 in. ID up to 50 ft. (+/-)	19.1 mm ID x 15.4 m (+/-)
224150	Large	1 in. ID up to 75 ft. (+/-)	25.4 mm x 22.9 m (+/-)
224160	Tilt	3/4 in. ID up to 100 ft. (+/-)	19.1 mm ID x 30.5+ m (+/-)

Model #	Description
224140	Hose Strap, SS
224142	Hose Strap, SS, Large
224145	Hose Rack, SS, Small
224150	Hose Rack, SS, Large
224160	Hose Rack, SS, Large Tilt

STAINLESS STEEL HOSE REELS

- This retractable reel features a full-port swivel that allows unrestricted foam output. Other reels may have ports with narrowed openings through the swivel, which compresses the foam, resulting in watery, inferior foam output.
- Use with confidence with a wide range of Lafferty sprayers/sanitizers and foamers that require 3/8" or 1/2" ID hose

Features

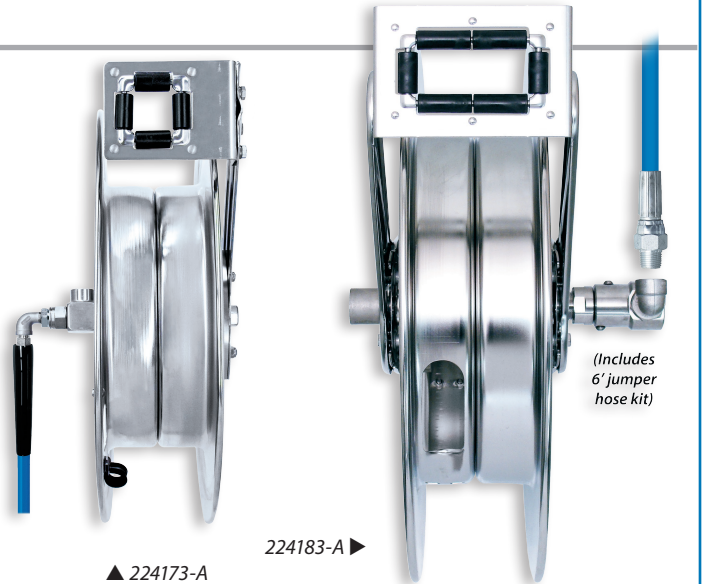
- Stainless steel construction and a heavy-duty steel base ensure strength, safety, corrosion resistance, and durability
- Electro-Polished Stainless Steel finish
- Non-Corrosive Stainless Steel Fluid Path Featuring Stainless Steel Swivel
- Auto Rewind via a non-corrosive stainless steel cartridge-style spring motor easily wraps, stores and protects hose
- Adjustable hose stop prevents full hose retraction and allows for quick, easy access to hose-end tools
- Guide arm adjusts to wall, floor and overhead positions
- Pinch-proof, four-way, guide-arm rollers allow the hose to be pulled from the reel in any direction

REQUIREMENTS / SPECIFICATIONS

Water Pressure	up to 300 PSI	20.7 bar
	up to 2500 PSI	172.4 bar
Discharge Hose ID	either	
	3/8 in.	9.5 mm
	1/2 in.	12.7 mm

Includes:

- 6' Lafferty-specified jumper hose (assures compatibility with Lafferty foamers and spray applicators)
- Heavy Gauge Steel/Stainless Steel Base and Support Post
- Stainless Steel Rollers
- Factory-Matched Cartridge-Style Spring Motor
- Multi-Position Lock Ratchet Secures Hose At Desired Length
- Rolled Edges and Ribbed Discs Provide Strength and Safety
- Leading 2-Year Manufacturer's Limited Warranty



Model #	Description
224173-A	Hose Reel, SS, 3/8" x 50', 2500 PSI, With Jumper Hose Kit
224176-A	Hose Reel, SS, 1/2" x 50', 2500 PSI, With Jumper Hose Kit
224183-A	Hose Reel, SS, 3/8" x 75', 300 PSI, With Jumper Hose Kit
224186-A	Hose Reel, SS, 1/2" x 75', 300 PSI, With Jumper Hose Kit

[†]Allow six weeks production time. Discharge hose and applicator wand not included.

DRUM STICK / TOTE STICK

- Chemical/acid resistant polypropylene construction
- Connects to chemical pick-up tubes fitted to any venturi applicator or chemical pumping system
- Drum Bung Adaptor, machined to fit either coarse or fine-threaded bung holes, and Tote Stick Cover, for larger openings on totes and other bulk containers, keep trash out of chemical and allow easy depth adjustment of the Drum or Tote Stick.
- Rigid pipe overcomes problems common with flexible tubing
- Hastelloy strainer easily accessible for cleaning
- Choice of Viton or EPDM seals

SPECIFICATIONS

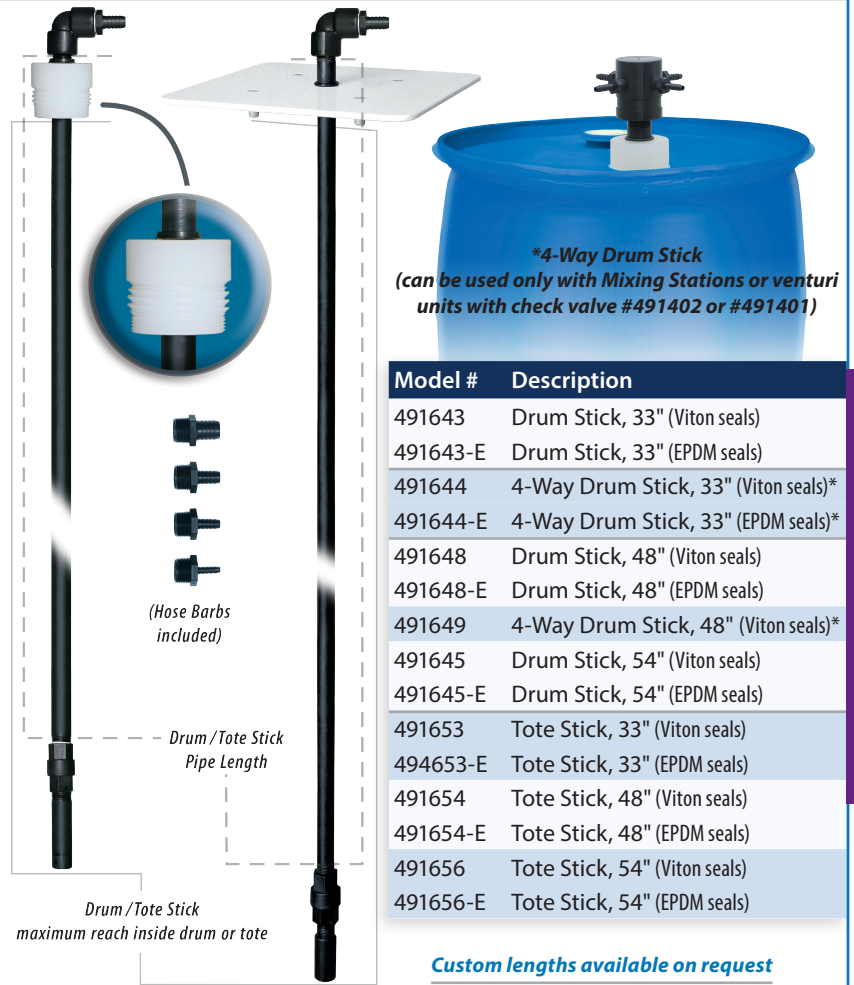
Polypropylene extension pipe

ID	3/4 in.	19.1 mm
Lengths:	Pipe Length	Inside Drum/Tote
33" Drum Stick	33 in. / 0.83 m	35 in. / 0.89 m
48" Drum Stick	48 in. / 1.22 m	50 in. / 1.27 m
54" Drum Stick	54 in. / 1.37 m	56 in. / 1.42 m
33" Tote Stick	33 in. / 0.8 m	36 in. / 0.91 m
48" Tote Stick	48 in. / 1.22 m	51 in. / 1.29 m
54" Tote Stick	54 in. / 1.37 m	57 in. / 1.45 m

Includes

- Machined polypropylene Drum Bung Adaptor with coarse and fine threads or 11" x 11" polypropylene Tote Stick Cover
- Four polypropylene hose barbs:

1/4 in.	6.3 mm
3/8 in.	9.5 mm
1/2 in.	12.7 mm
3/4 in.	19.0 mm
- Polypropylene chemical check valve
- Hastelloy chemical strainer



***4-Way Drum Stick**
(can be used only with Mixing Stations or venturi units with check valve #491402 or #491401)

Model #	Description
491643	Drum Stick, 33" (Viton seals)
491643-E	Drum Stick, 33" (EPDM seals)
491644	4-Way Drum Stick, 33" (Viton seals)*
491644-E	4-Way Drum Stick, 33" (EPDM seals)*
491648	Drum Stick, 48" (Viton seals)
491648-E	Drum Stick, 48" (EPDM seals)
491649	4-Way Drum Stick, 48" (Viton seals)*
491645	Drum Stick, 54" (Viton seals)
491645-E	Drum Stick, 54" (EPDM seals)
491653	Tote Stick, 33" (Viton seals)
494653-E	Tote Stick, 33" (EPDM seals)
491654	Tote Stick, 48" (Viton seals)
491654-E	Tote Stick, 48" (EPDM seals)
491656	Tote Stick, 54" (Viton seals)
491656-E	Tote Stick, 54" (EPDM seals)

Custom lengths available on request

BOOSTED PRESSURE

CHEMICAL DISPENSING ACCESSORIES:

SAFE FLOW™ JUG OR PAIL LIDS AND PAIL STICKS

- Safe and Convenient — Prevents splashing, reduces odor, and allows for quick replacement of chemical concentrate.
- **Jug / Pail Lids:** Machined polypropylene lids threaded to fit 1 gallon jugs and the pull-up spout of many 5 gallon pails.
- **Jug Lid** includes 1' of suction tubing. (Model 709101-R fits Rieke FLEXSPOUT® closures.) **Slip Stick** includes a sliding Jug Lid and fits containers up to 21" deep.
- **Pail Sticks:** Polypropylene sticks with sliding collars, threaded to fit 3/4" container lid knockouts.
- **Model 709105** includes a 16" Pail Stick and 5 gallon pail with lid.



709101 (various models)
1 Gallon Safe Flow Lid w/
Flexible Tube & Strainer

491610 - 5 Gallon
Safe Flow Lid w/ Rigid
Tube & Strainer

709105 - 5 Gallon Pail
with Suction Stem

Safe Flow Pail Sticks
491617 - 16" (above, left)
491622 - 21" (above, right)

LAFFERTY CATALOG SERIES

• Food & Beverage Processing • Pharmaceutical • Agriculture • General Industrial Applications



1 • Venturi Systems – City Water Pressure

2 • Venturi Systems – Boosted Pressure

3 • Venturi Systems – High Pressure

4 • Compressed Air Operated Systems

5 • Pump Fed Sanitizers, Foamers & Hose Drop Stations

6 • Entryway, Drain & Hand Sanitizing Systems

7 • Foggers and Fogging Systems

Chemical Application Equipment

www.LaffertyEquipment.com
8512 Oak Grove Road • North Little Rock, AR 72118
Phone: 800-999-2820 / 501-851-2820 • Fax Orders: 800-699-3719

Special Applications

8 • Asphalt Release, Acid/Corrosive & Solvent Systems

9 • Chemical Management Systems

10 • Vehicle Wash & Detailing Systems

11 • JanSan / Commercial / Residential Systems

12 • Supermarket / Deli / Small Area Cleaning Systems

